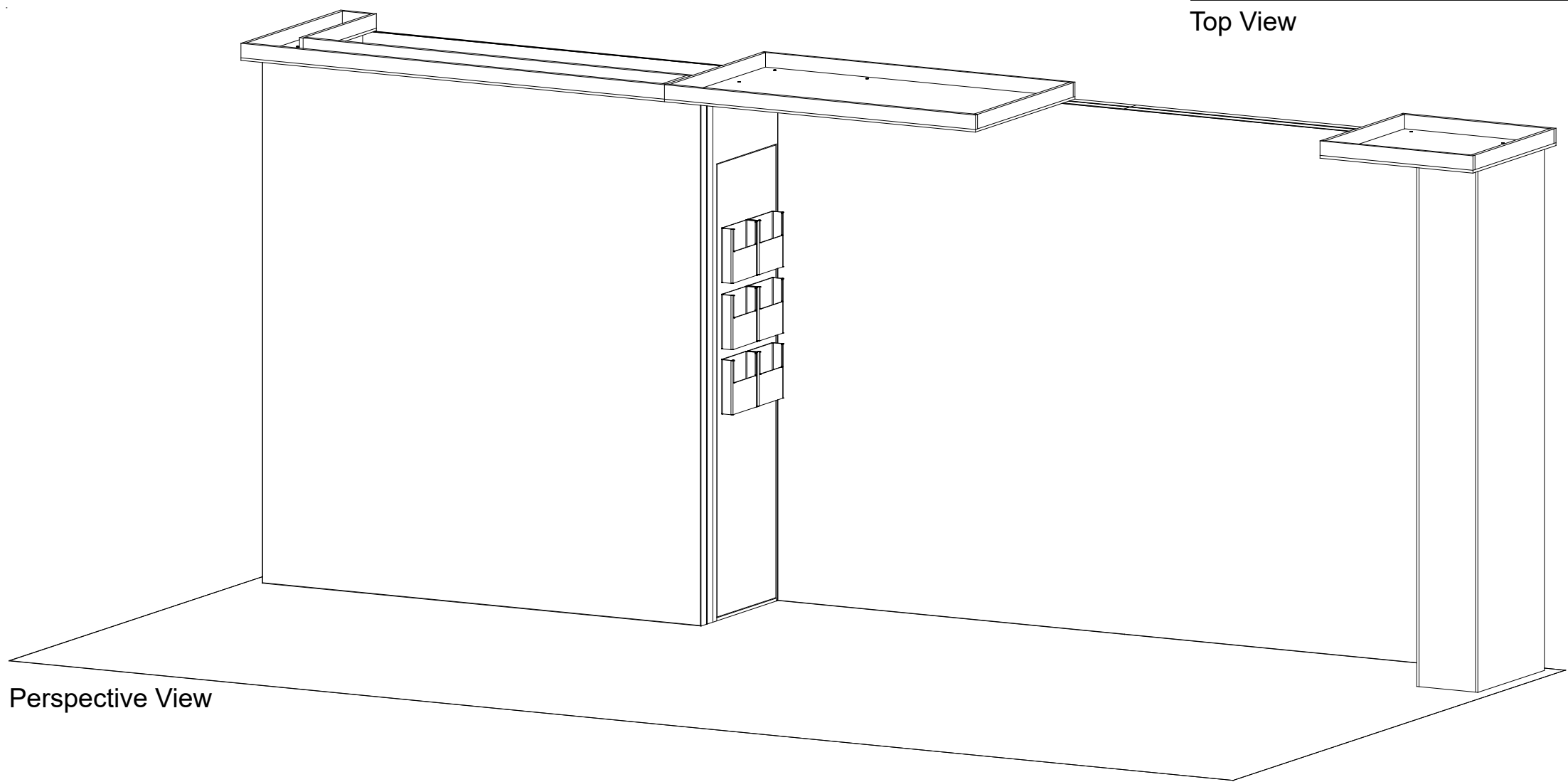


Top View



## General Setup Instructions

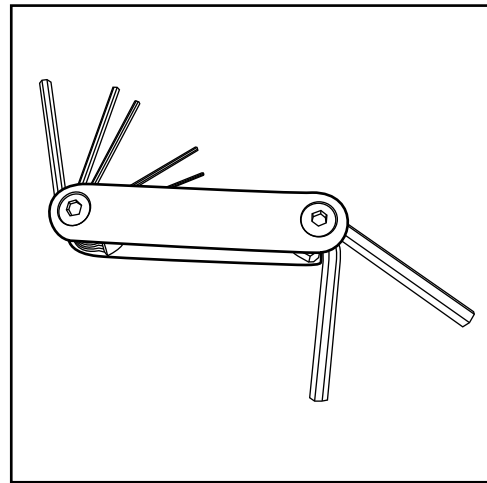
- Read entire setup instruction manual prior to unpacking parts and pieces.
- The setup instructions are created specifically for this configuration.
- Setup instructions are laid out sequentially in steps, including exploded views with detailed explanation for assembly.

## Cleaning & Packing

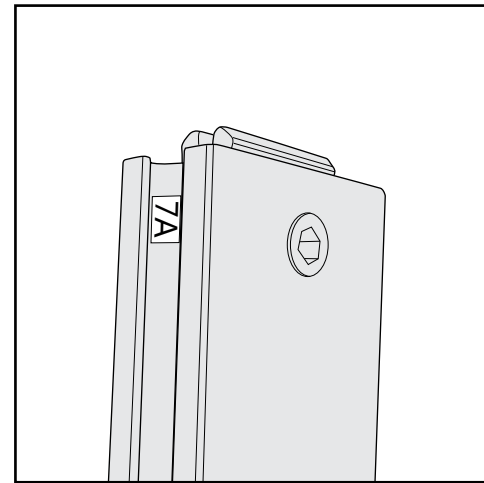
- For Cleaning Metal, Plex, & Laminate Parts: Use a **MILD NON-ABRASIVE** cleanser and soft cloth/paper towel to clean all surfaces.
- Keep exhibit components away from heat and prolonged sun exposure. **Heat and UV exposure will warp and fade components.**
- Retain all provided Packing Materials. All provided packing materials are for ease of repacking & component protection.

## Disassembly

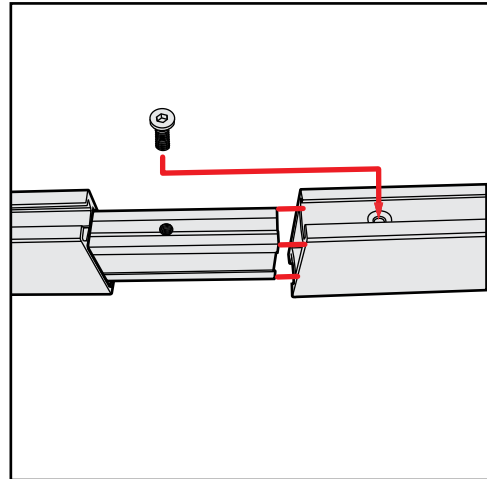
- For loss prevention, tighten all set screws and locks during disassembly.



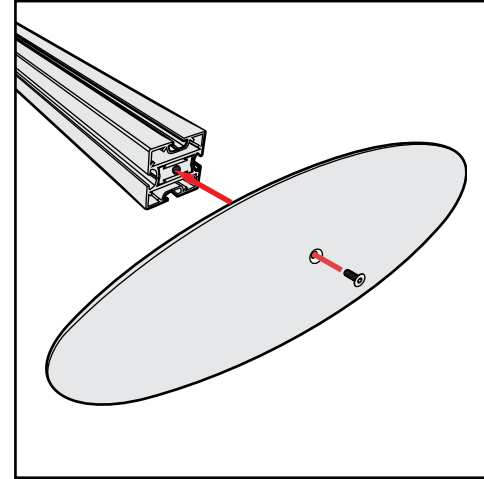
Hex Tool - Essential for Assembly



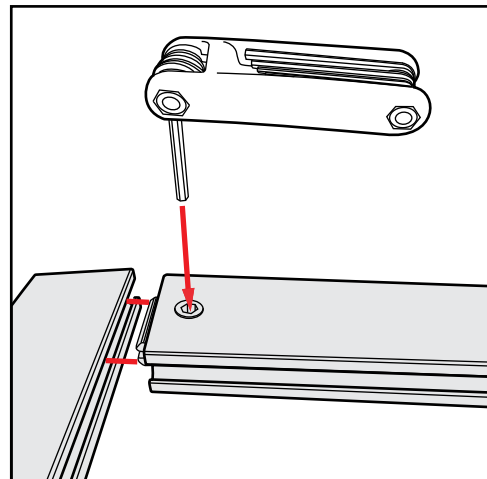
Part Identification - Numbering



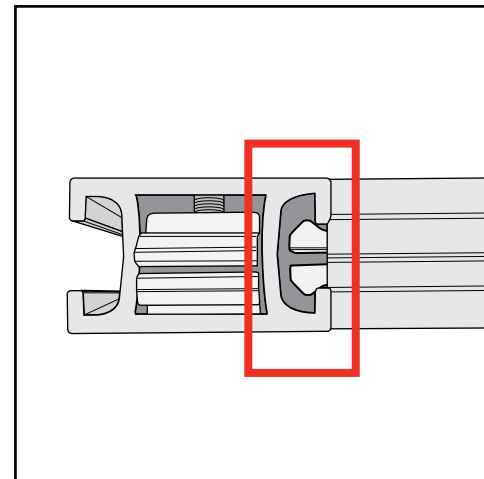
Spline Connection



Base Plate & Extrusion Connection



Extrusion & Lock Connection



Engaged Lock



**WARNING**



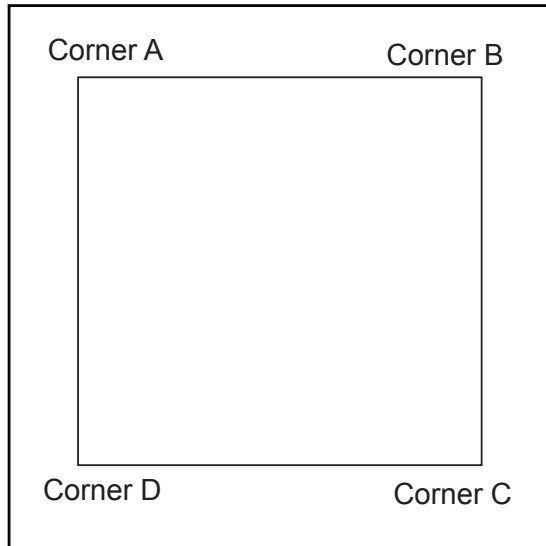
DO NOT USE POWER TOOLS



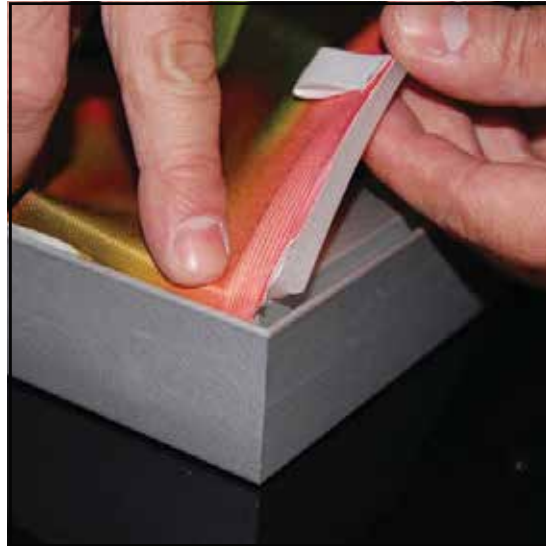
LADDERS OR LIFTS  
MAY BE REQUIRED



ALL CONNECTIONS MUST  
BE TIGHTLY SECURED



It is important to first insert graphic into each alternate corner then to the sides of the frame. If this is not done, graphic will not fit into the frame correctly.



**Step 1**  
Insert corner A. Turn edge of graphic so silicon welt is perpendicular to face of graphic. Insert narrow side of welt with fabric to outside into the channel. Repeat for other side of this corner.

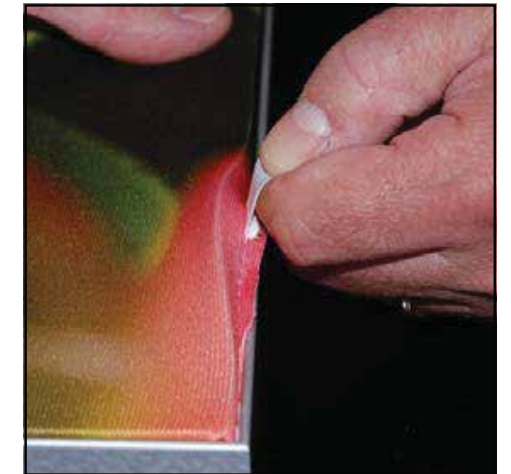


**Step 2**  
Repeat Step 1 for opposite corner C, then insert corner B, followed by corner D, to complete the installation of the corners.



**Step 3**  
Once all corners are inserted, press one silicon edge into channel from corners and work toward the center. Make sure welt is fully inserted into channel. Continue until all sides are done. Smooth out edges of graphic.

### Graphic Removal

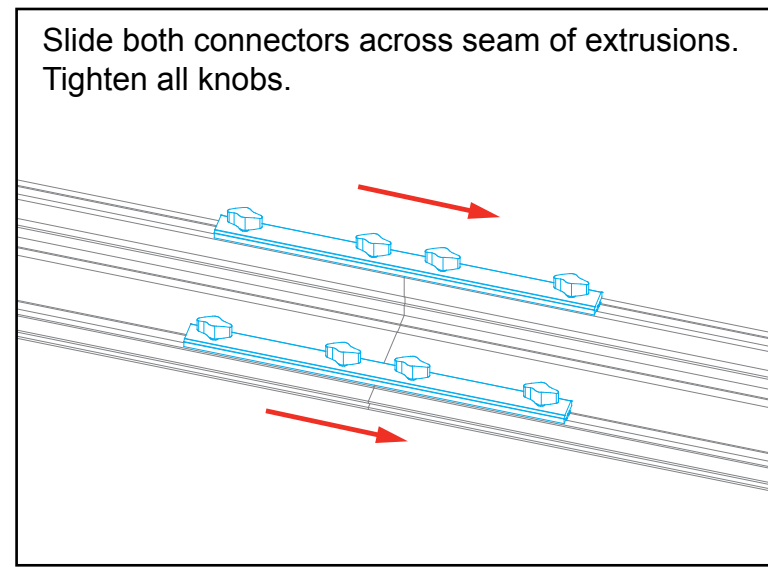
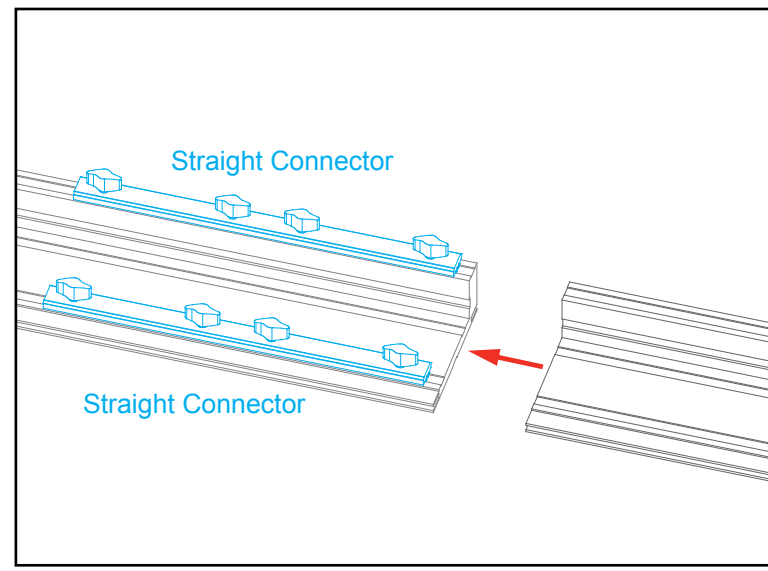


To remove the graphic from the frame, locate the fabric pull tab. Gently pull up on the tab to remove the fabric.

## Straight Connection

When assembling frame, first attach all **straight connectors**, then attach **corner connectors**.

- 1) Place extrusions end-to-end.
- 2) Loosen all knobs, then slide **straight connectors** across the seam of extrusions.
- 3) Tighten all knobs to secure connection.



All knobs must be tightened securely to ensure a proper connection.

## Disassembly

- 1) Loosen all knobs.
- 2) Slide connectors off of one extrusion.
- 3) Tighten knobs to prevent loss during packing & shipping.

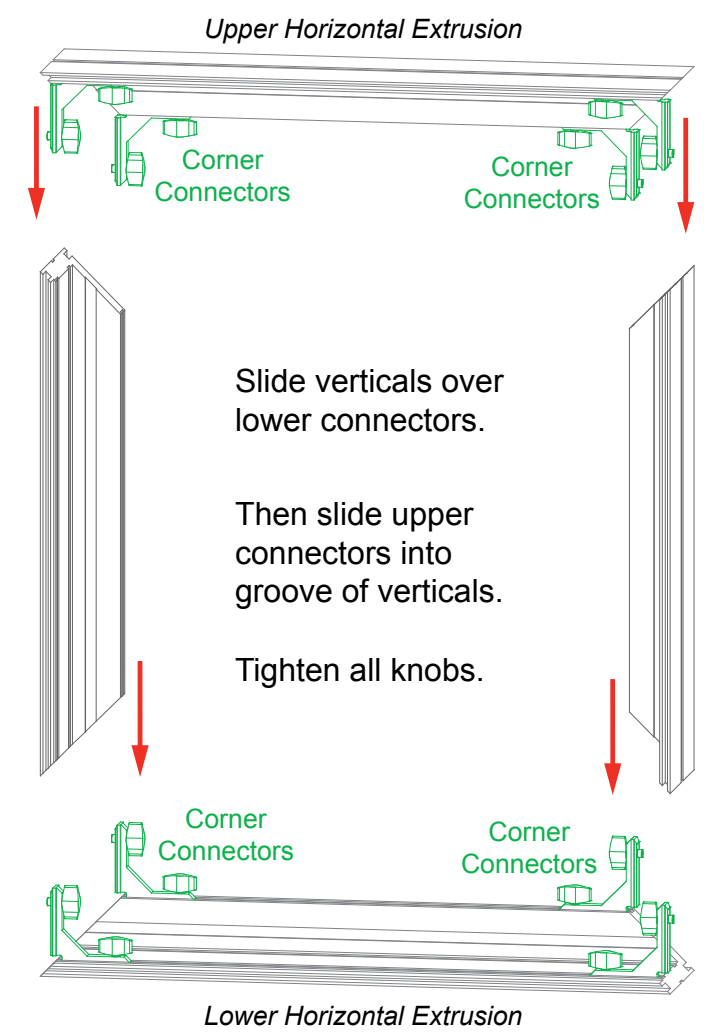
Keep straight connectors in groove of extrusion. Do not remove connectors during disassembly.

## Corner Connection

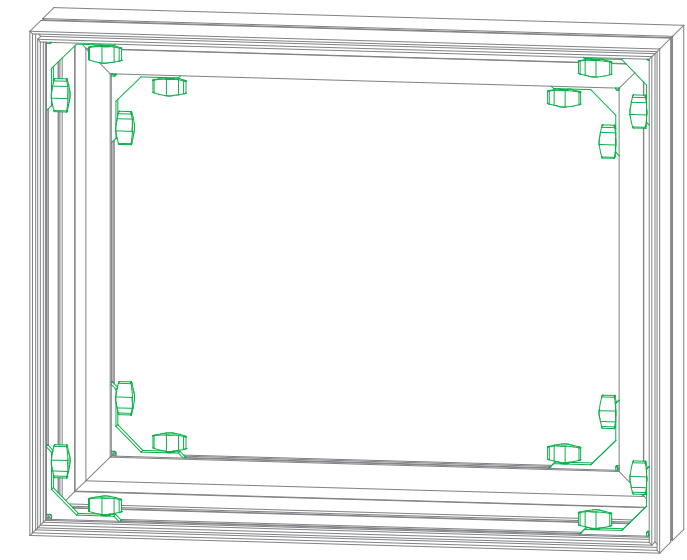
- 1) Loosen knobs, then slide vertical extrusions onto **corner connectors** of **lower** horizontal extrusion.
- 2) Slide **corner connectors** of **upper** horizontal extrusion into grooves of vertical extrusions.
- 3) Tighten all knobs to secure connection.

## Disassembly

- 1) Loosen knobs on vertical extrusions.
- 2) Slide the vertical extrusions off of **corner connectors** on lower and upper horizontal extrusions.

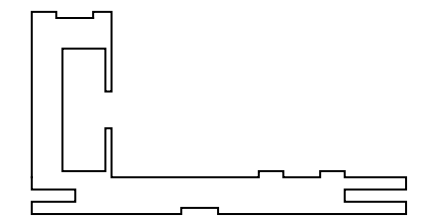


Adjust connectors if necessary to prevent gaps in connection.



COMPLETED ASSEMBLY

All knobs must be tightened securely to ensure a proper connection.

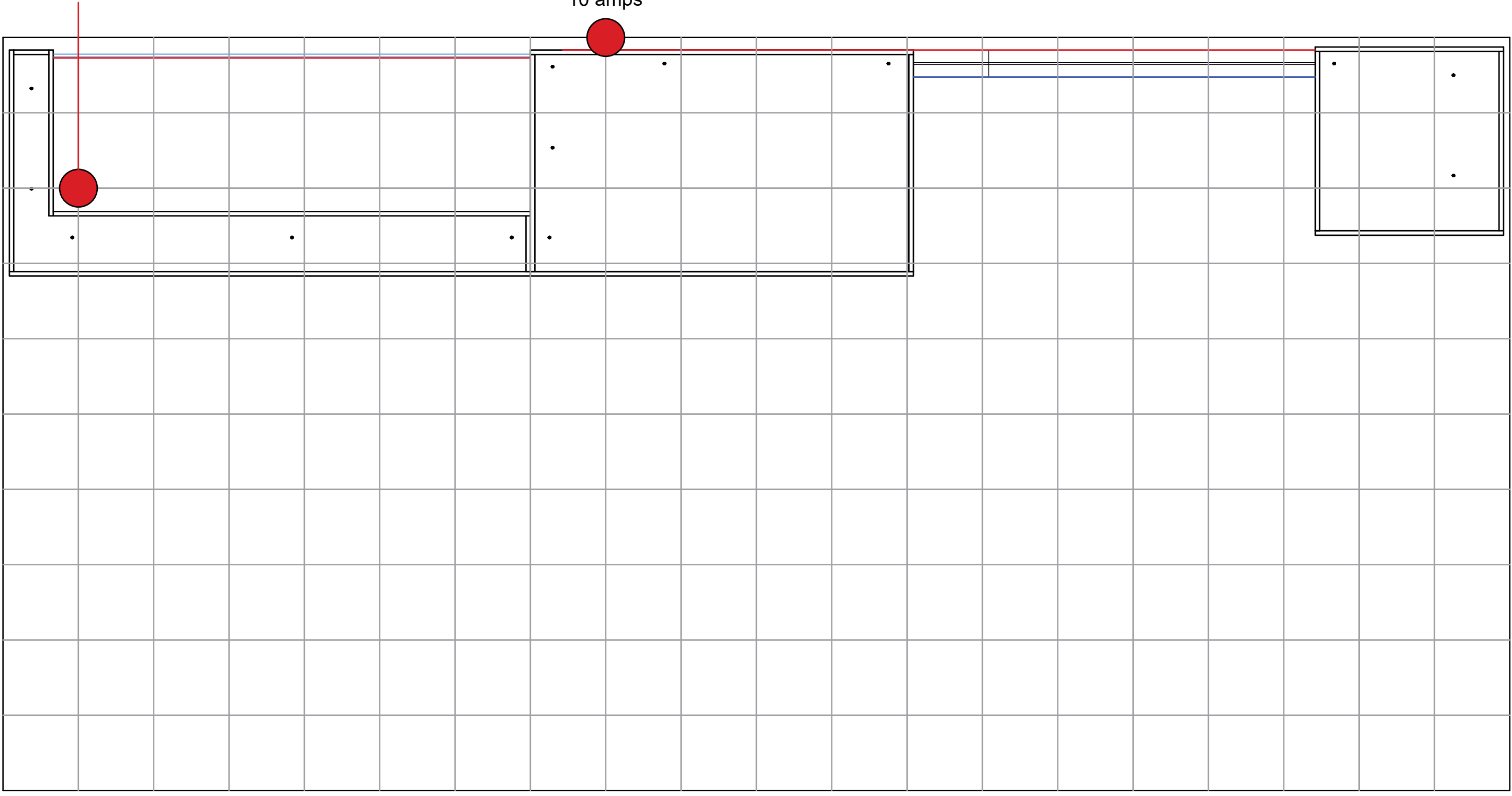


CEI110 Profile



Light Box  
10 amps

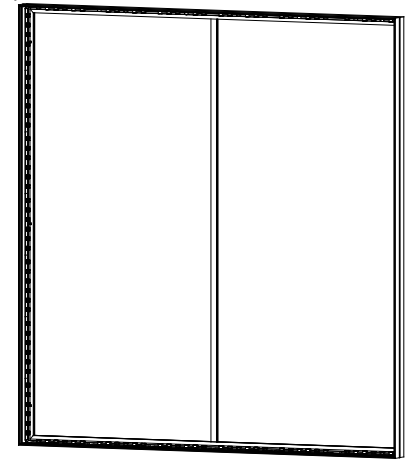
Light Box  
10 amps



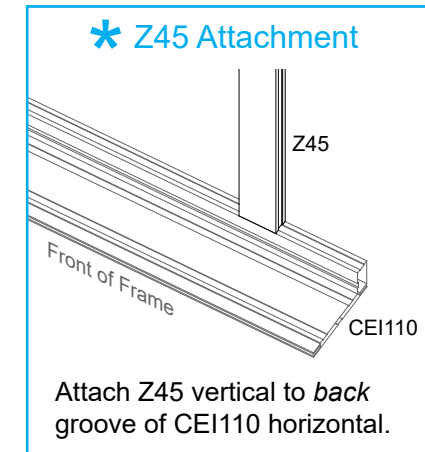
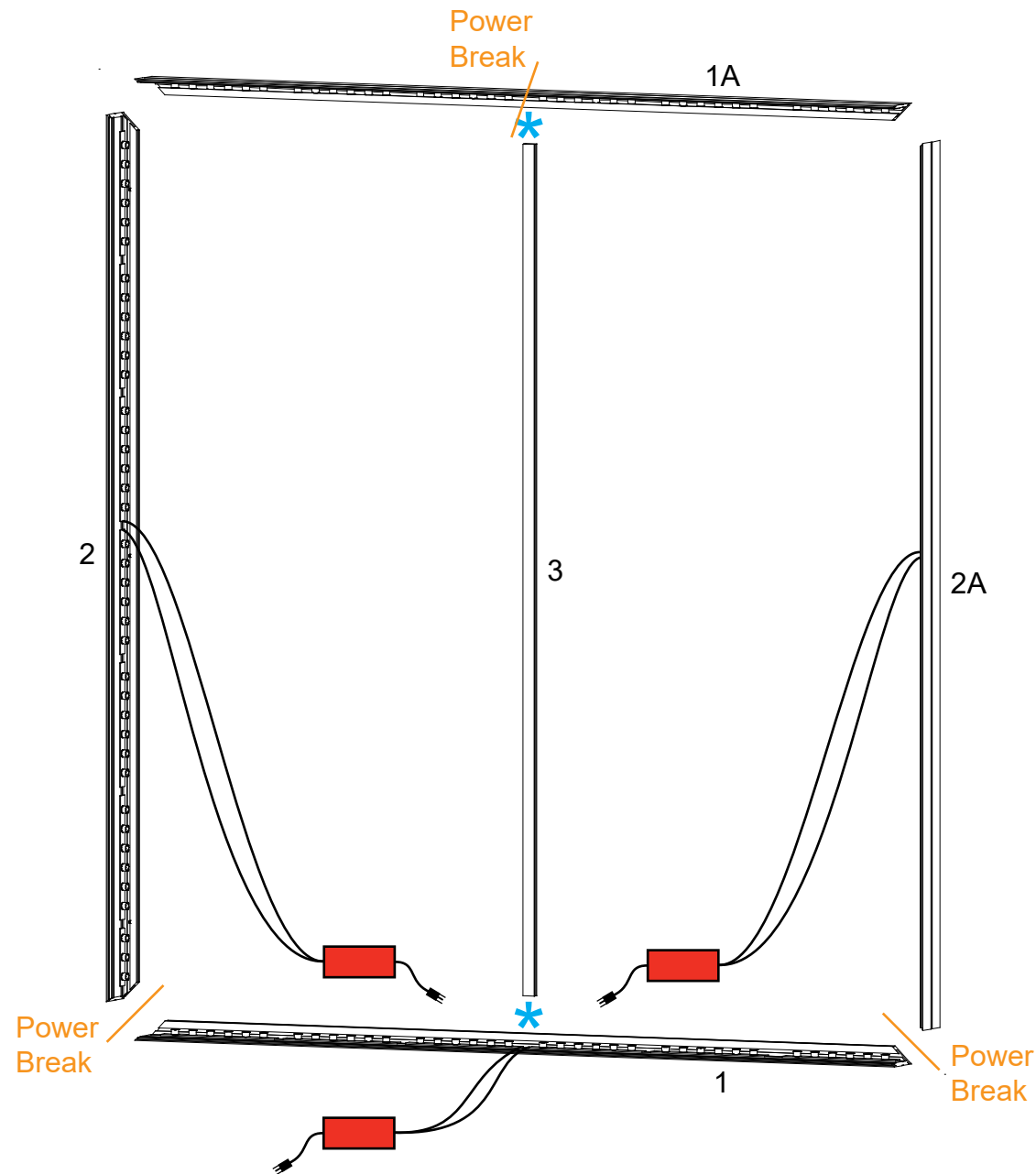
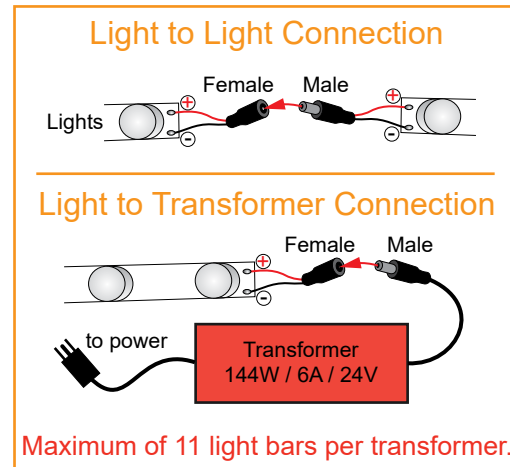


Item	Qty.	Description
1,1A	1,1	86" CEI110 Horizontal Extrusion
2,2A	1,1	92" CEI110 Vertical Extrusion
3	1	88.353" Z45 Vertical Extrusion

- Steps:
- 1) Assemble CEI110 extrusions, flat on floor, as shown.  
See CEI110 Frame Assembly sheet, for instruction.
  - 2) Attach extrusion [3] to center of assembled CEI110 frame.  
See [Z45 Attachment](#) detail.
  - 3) Connect lighting cords and attach transformers, then connect to power. See [Light Connection](#) details.

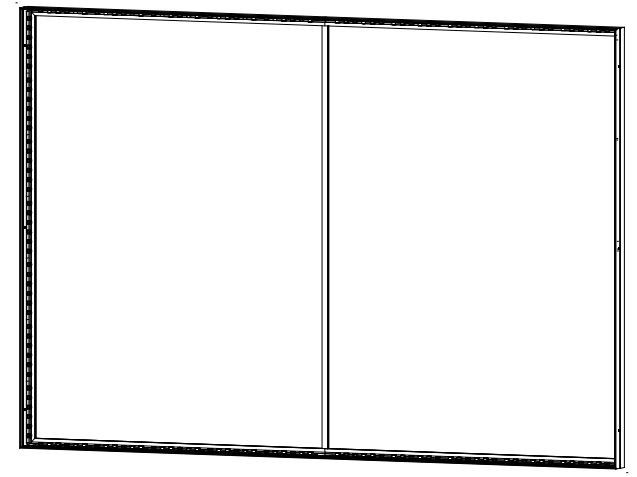


Completed Assembly

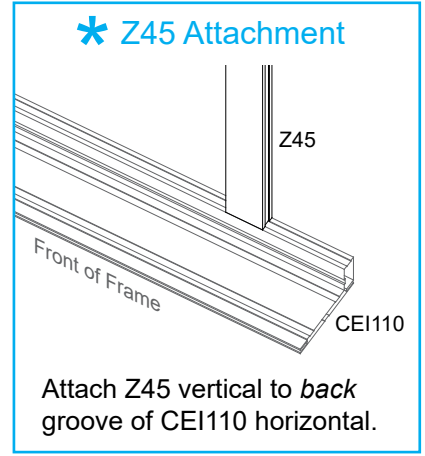
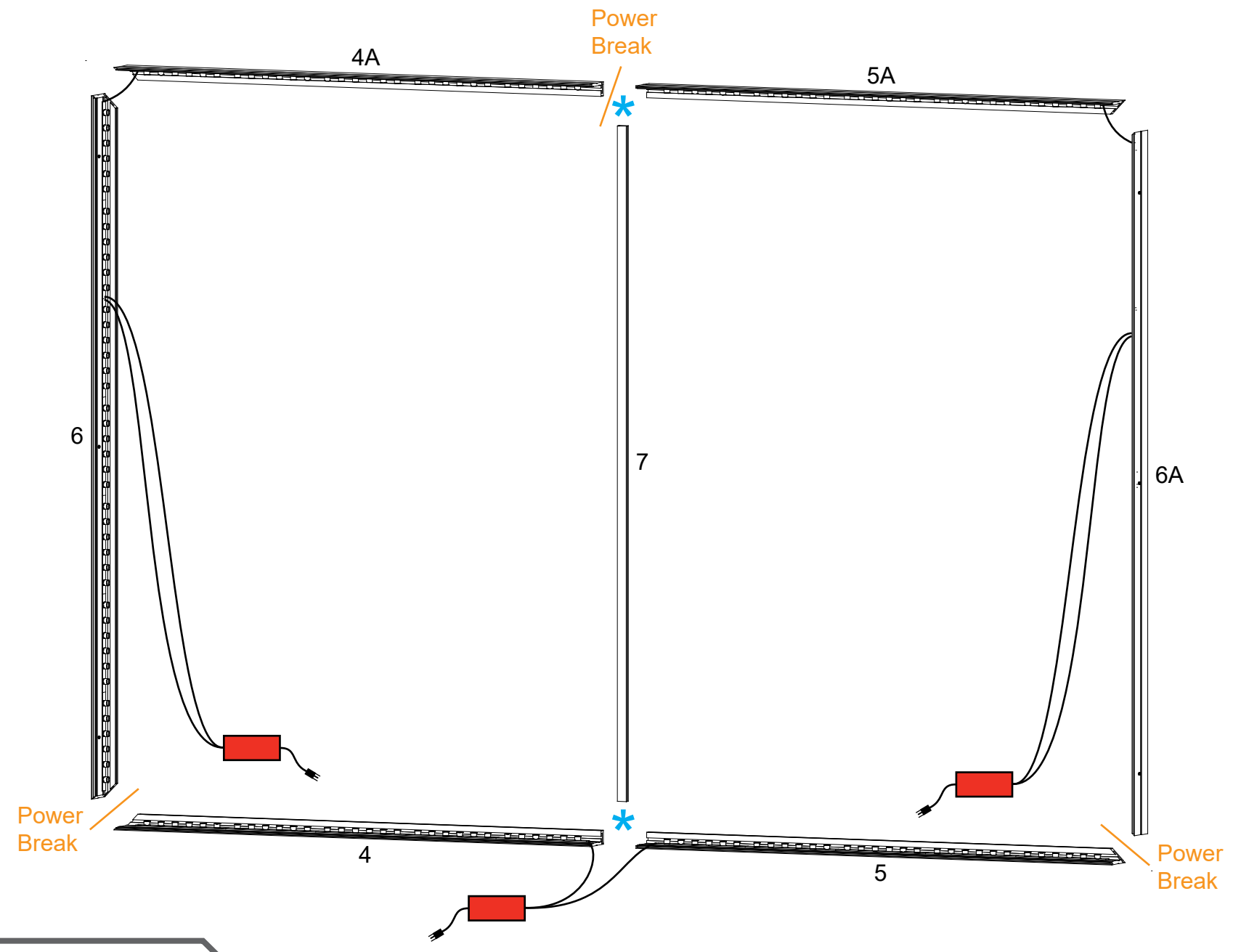
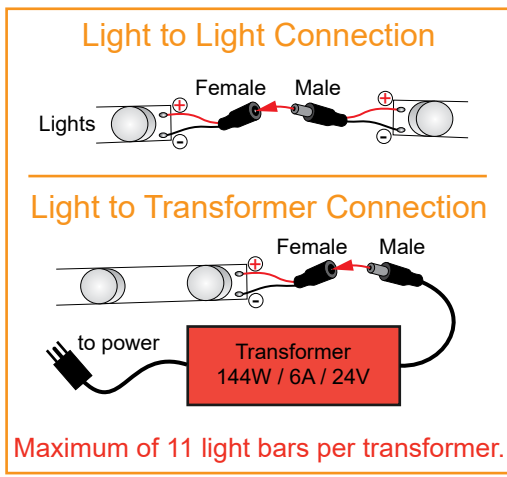


Item	Qty.	Description
4,4A	1,1	68" CEI110 Horizontal Extrusion
5,5A	1,1	68" CEI110 Horizontal Extrusion
6,6A	1,1	92" CEI110 Vertical Extrusion
7	1	88.353" Z45 Vertical Extrusion

- Steps:
- 1) Assemble CEI110 extrusions, flat on floor, as shown. See CEI110 Frame Assembly sheet, for instruction.
  - 2) Attach extrusion [7] to center of assembled CEI110 frame. See [Z45 Attachment](#) detail.
  - 3) Connect lighting cords and attach transformers, then connect to power. See [Light Connection](#) details.



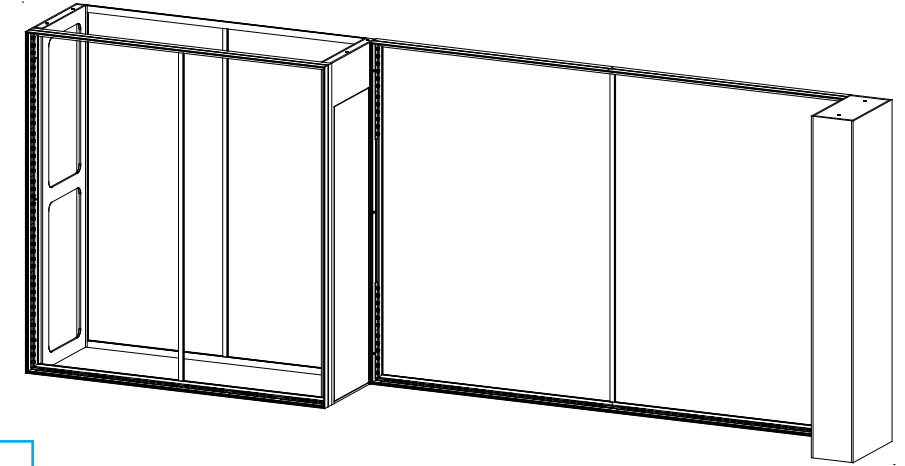
Completed Assembly



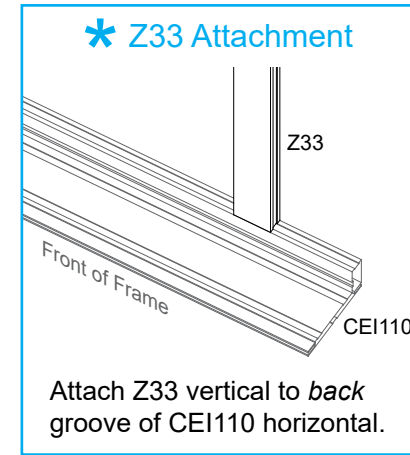


Item	Qty.	Description
8,8A	1,1	79.094" Z45 Horizontal Extrusion
9	1	88.4174" Z33 Vertical Extrusion
A	1	Panel
B	1	Panel w/ Door

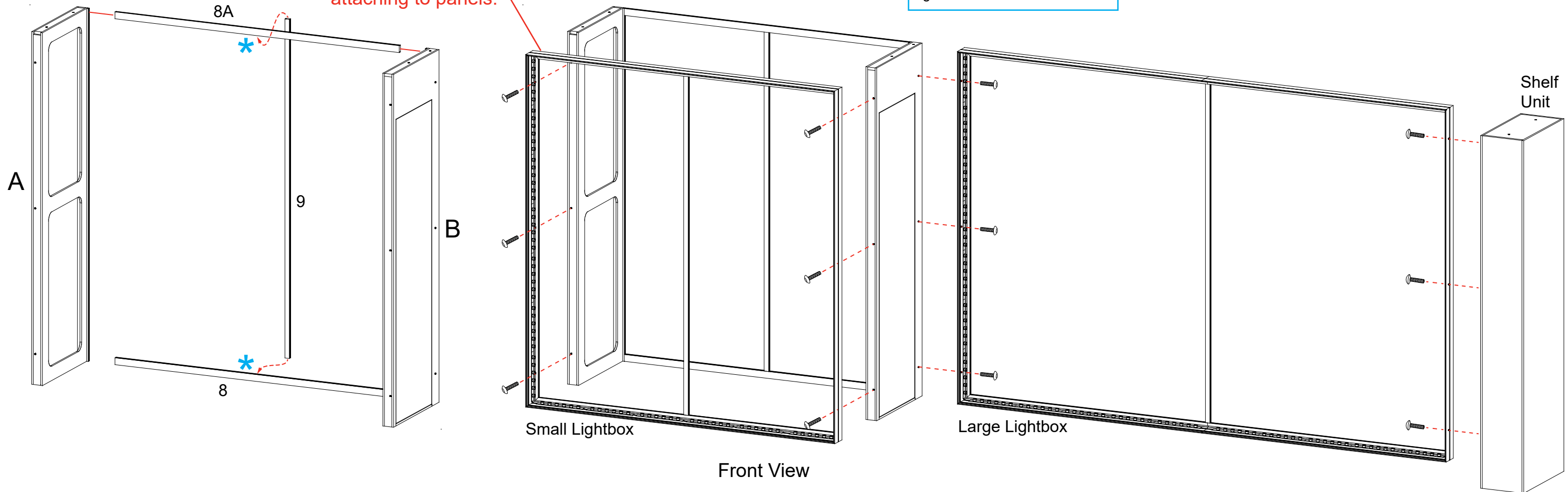
- Steps:
- 1) Attach extrusions [8] and [8A] between panels [A] and [B], making sure Velcro is facing to front.
  - 2) Attach extrusion [9] to between extrusions [8] and [8A]. See [Z33 Attachment](#) detail.
  - 3) Connect blocker fabric to Velcro on back of small lightbox.
  - 4) Attach small lightbox to panels [A] and [B], using bolts.
  - 5) Attach large lightbox to panel [B], using bolts.
  - 6) Attach shelf unit to large lightbox, as shown, using bolts.



Completed Assembly

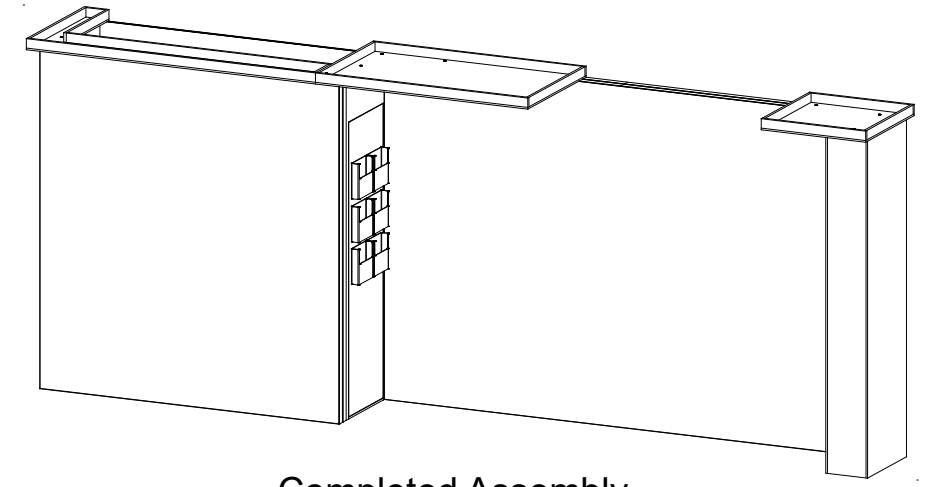


Connect blocker fabric to lightbox before attaching to panels.



Item	Qty.	Description
C	1	Ceiling Panel
D	1	Ceiling Panel
E	1	Ceiling Panel

- Steps:**
- 1) Attach Ceiling panels [C] [D] and [E] to top of assembly, using bolts.
  - 2) Attach panels [C] and [D] together, using bolts and wing nuts.
  - 3) Attach literature holders Velcro on to panel [B].
  - 4) Connect blocker fabric to Velcro on extrusions [8] and [8A].
  - 5) Install SEG graphic to assembled lightboxes, and blocker fabric to back. See SEG Installation sheet, for instruction.



Completed Assembly

